



# Royal Industrial Suppliers

Quality Fasteners Specialist

No. 4, M.G.S. Complex, Benki Nawab Street, S.P. Road Cross, Bangalore 560002

An ISO 9001:2015 Certified Co



8310165941 / 9008782885

sales@royalfastenersindia.com



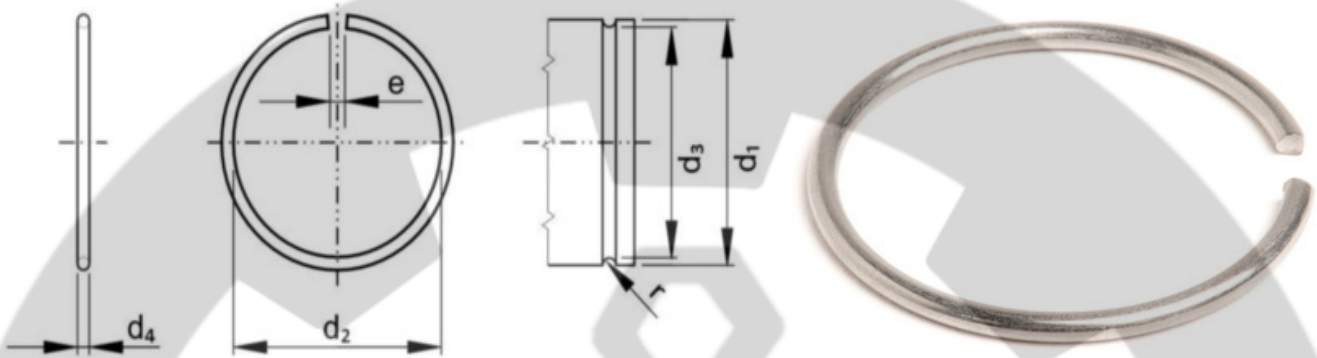
www.royalfastenersindia.com

## EXTERNAL SNAP RING

DIN 9925

CATALOGUE NUMBER: R1G60X

AISI 301



Send your Orders / Enquiries along with the following Item Codes

All Dimensions are in MM

Shaft Dia	PART NO.	Inner Dia d2		Thickness d4	Gap e	Groove Dia	
		Min	Max			d3	Tol
4	R1G60X04000	2.90	3.10	0.80	1.00	3.20	±0.05
5	R1G60X05000	3.90	4.10	0.80	1.00	4.20	
6	R1G60X06000	4.90	5.10	0.80	1.00	5.20	
7	R1G60X07000	5.80	6.10	0.80	2.00	6.20	
8	R1G60X08000	6.80	7.10	0.80	2.00	7.20	
10	R1G60X10000	8.80	9.10	0.80	2.00	9.20	
12	R1G60X12000	10.40	10.80	1.00	3.00	11.00	
14	R1G60X14000	12.40	12.80	1.00	3.00	13.00	
16	R1G60X16000	13.80	14.20	1.60	3.00	14.40	
18	R1G60X18000	15.80	16.20	1.60	3.00	16.40	
20	R1G60X20000	17.20	17.70	2.00	3.00	18.00	±0.10
22	R1G60X22000	19.20	19.70	2.00	3.00	20.00	
24	R1G60X24000	21.20	21.70	2.00	3.00	22.00	
25	R1G60X25000	22.20	22.70	2.00	3.00	23.00	
26	R1G60X26000	23.20	23.70	2.00	3.00	24.00	
28	R1G60X28000	25.20	25.70	2.00	3.00	26.00	
30	R1G60X30000	27.20	27.70	2.00	3.00	28.00	
32	R1G60X32000	28.50	29.10	2.50	4.00	29.50	
35	R1G60X35000	31.50	32.10	2.50	4.00	32.50	
38	R1G60X38000	34.50	35.10	2.50	4.00	35.50	
40	R1G60X40000	36.50	37.10	2.50	4.00	37.50	
42	R1G60X42000	38.20	39.00	2.50	4.00	39.50	
45	R1G60X45000	41.20	42.00	2.50	4.00	42.50	
48	R1G60X48000	44.20	45.00	2.50	4.00	45.50	
50	R1G60X50000	46.20	47.00	2.50	4.00	47.50	
55	R1G60X55000	50.30	51.10	3.20	4.00	51.80	±0.15